



Installation instructions, accessories

Volvo Car Corporation Gothenburg, Sweden

Instruction No	Version	Part. No.
31439133	1.0	31439133

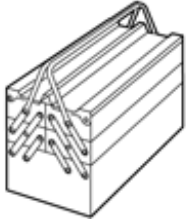
Load compartment divider



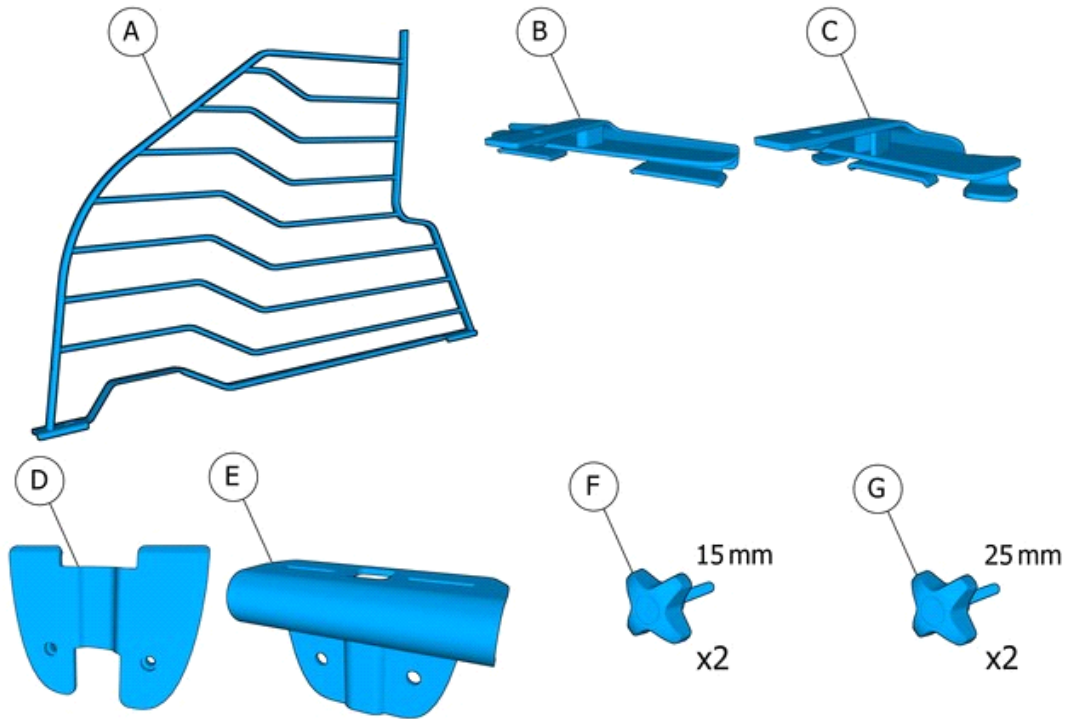
Installation instructions, accessories

Volvo Car Corporation Gothenburg, Sweden

Equipment



IMG-345497



IMG-413174



Installation instructions, accessories

Volvo Car Corporation Gothenburg, Sweden

Information

1

Read through all of the instructions before starting installation.

Notifications and warning texts are for your safety and to minimise the risk of something breaking during installation.

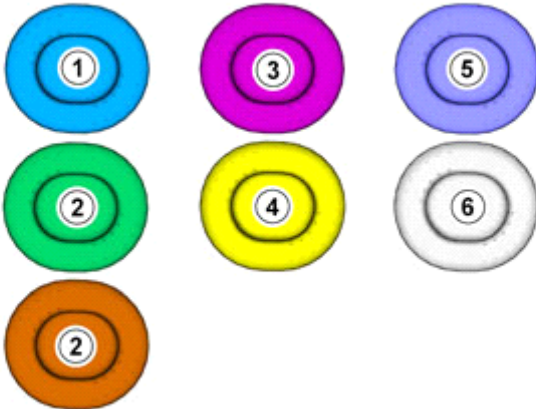
Ensure that all tools stated in the instructions are available before starting installation.

Certain steps in the instructions are only presented in the form of images. Explanatory text is also given for more complicated steps.

In the event of any problems with the instructions or the accessory, contact your local Volvo dealer.

Color symbols

2



IMG-363036

Note!

This colour chart displays (in colour print and electronic version) the importance of the different colours used in the images of the method steps.

- Used for focused component, the component with which you will do something.
- Used as extra colors when you need to show or differentiate additional parts.
- Used for attachments that are to be removed/installed. May be screws, clips, connectors, etc.
- Used when the component is not fully removed from the vehicle but only hung to the side.
- Used for standard tools and special tools.
- Used as background color for vehicle components.

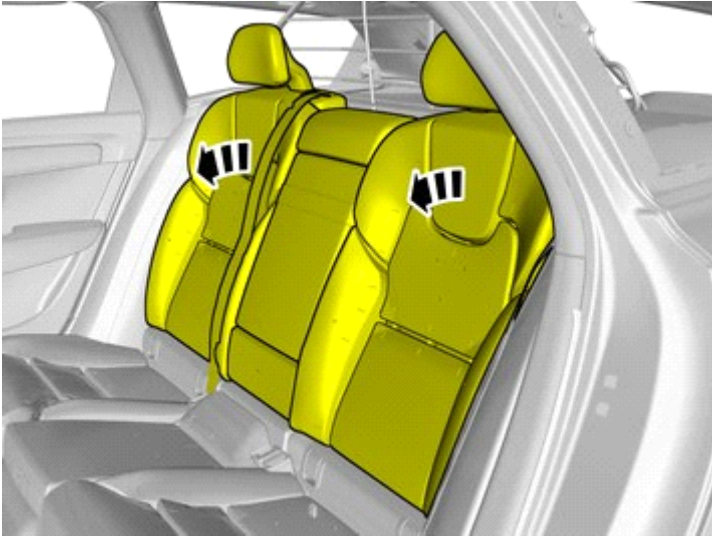
Preparation



Installation instructions, accessories

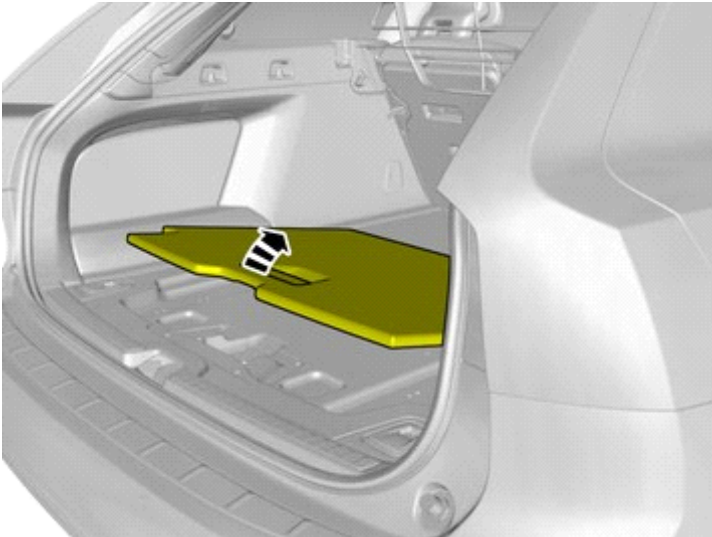
Volvo Car Corporation Gothenburg, Sweden

3



IMG-413040

4



IMG-413248

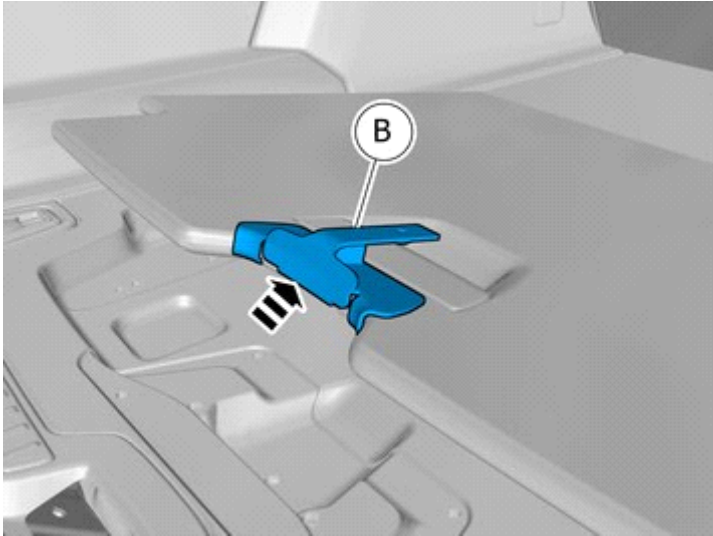
Accessory installation



Installation instructions, accessories

Volvo Car Corporation Gothenburg, Sweden

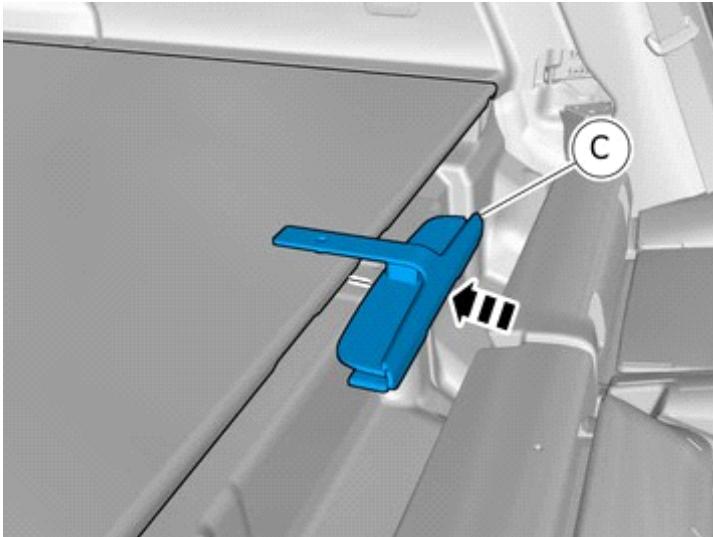
5



IMG-413249

Install component that comes with the accessory kit.

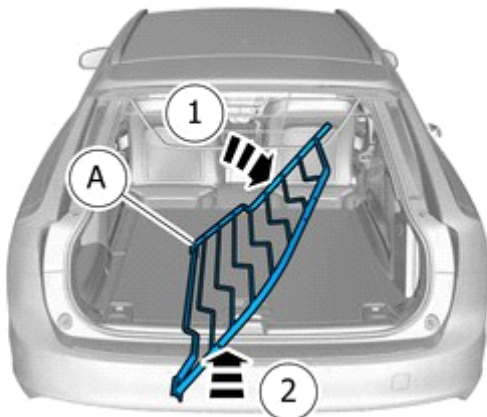
6



IMG-413246

Install component that comes with the accessory kit.

7



IMG-413265

Install component that comes with the accessory kit.



Installation instructions, accessories

Volvo Car Corporation Gothenburg, Sweden

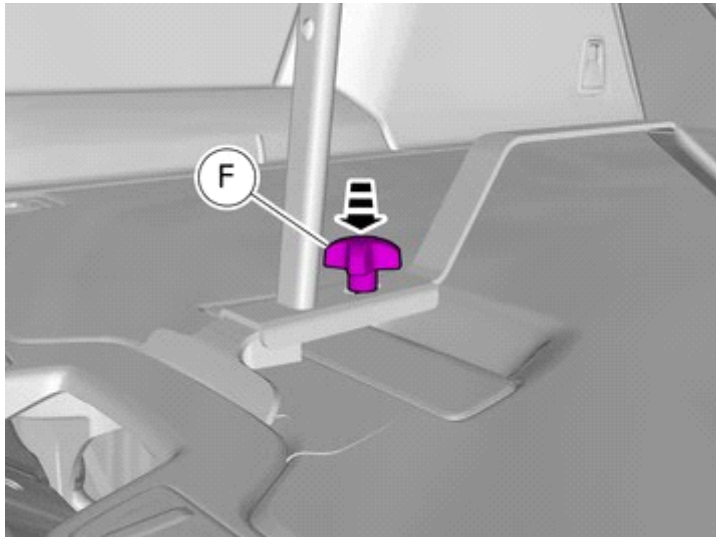
8



IMG-413267

Place the component where indicated in the graphic.

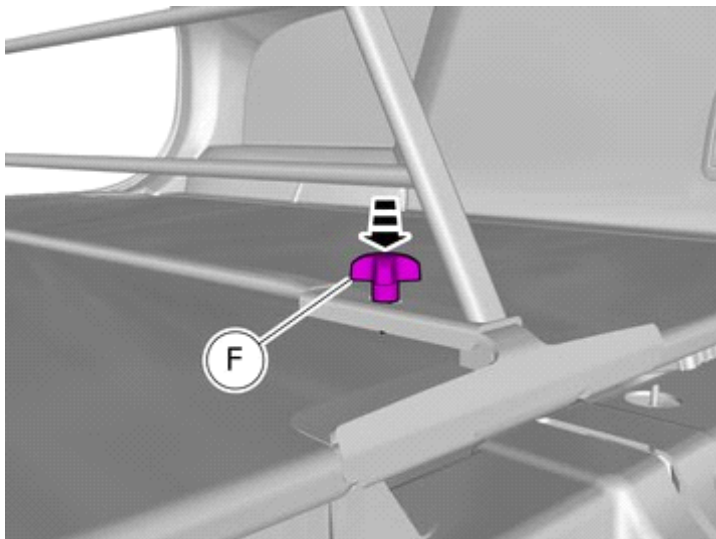
9



IMG-413270

Install the screw.

10



IMG-413271

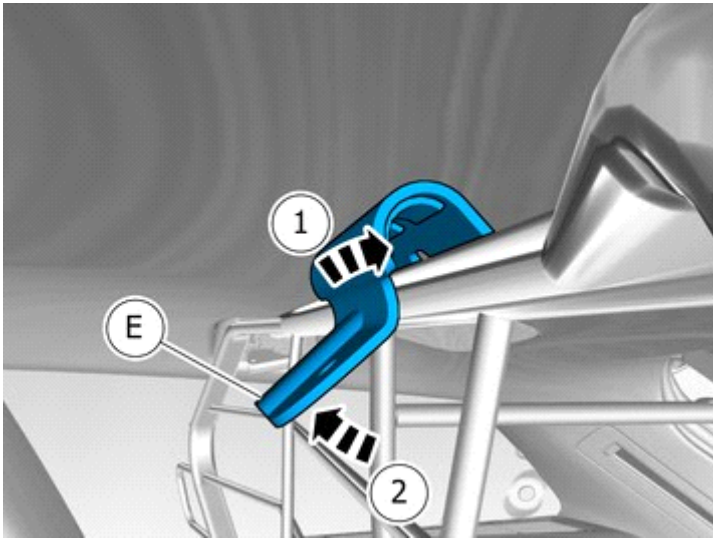
Install the screw.



Installation instructions, accessories

Volvo Car Corporation Gothenburg, Sweden

11



IMG-413752

Install component that comes with the accessory kit.

12



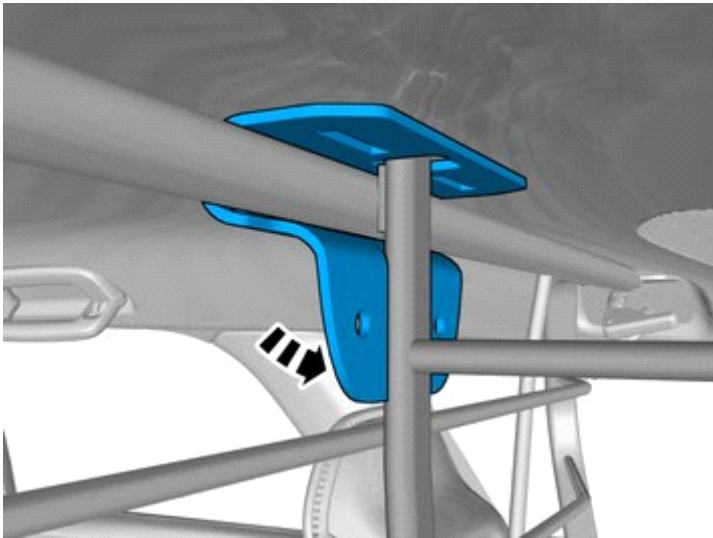
IMG-413753



Installation instructions, accessories

Volvo Car Corporation Gothenburg, Sweden

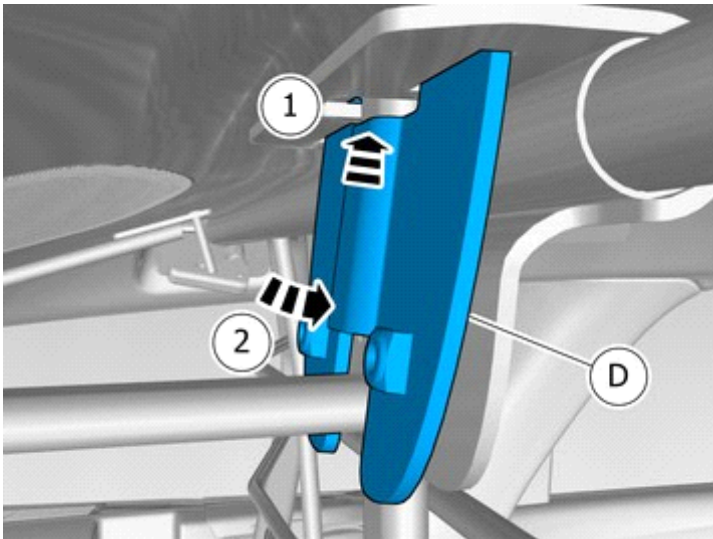
13



IMG-415910

Place the component where indicated in the graphic.

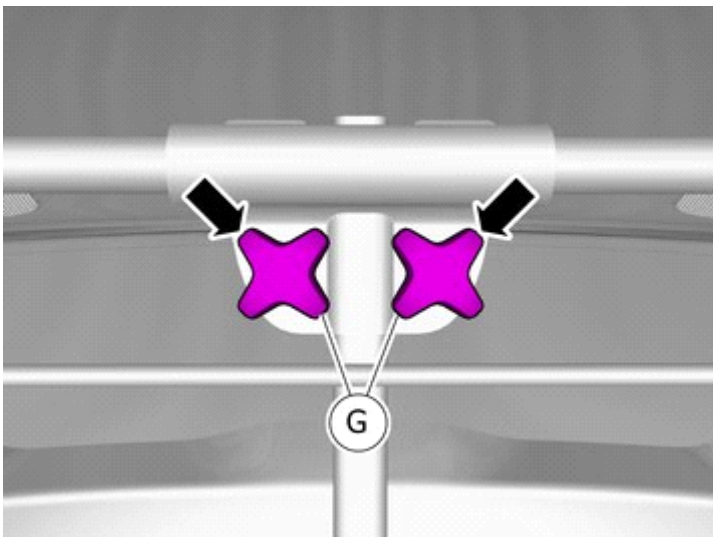
14



IMG-413273

Install component that comes with the accessory kit.

15



IMG-413274

Install the screws.



Installation instructions, accessories

Volvo Car Corporation Gothenburg, Sweden

16

Tighten the bolts.
